



# Condition Monitoring for machines and assets

SmartCheck

## Agenda

- 1** Technical Details
- 2** Accessories & Material Numbers
- 3** Trainings

## SmartCheck Overview



1

2

3

### SmartCheck:

#### Connectors

<b>2 Analog input</b>	(0-10 V / 0-24 V / 0-20 mA / 4-20 mA), Frequency range: 0-500 Hz, 12 Bit
<b>1 Digital input</b>	(0-30 V, 0,1 Hz-1 kHz)
<b>1 Analog output</b>	(0-10 V / 0-20 mA / 4-20 mA), 12 Bit
<b>1 switching output</b>	(Open-Collector, max. 1 A, 28 V)

**Communication** Ethernet 100 Mb/s

**Power supply** 12-32 VDC; typical 24 VDC; 200mA

**Display / operation** 1 LED for status- and alarm indication  
2 capacitive buttons

**Housing** Glass fibre reinforced plastic

**Dimensions** 44 mm x 57 mm x 55 mm

**Weight** ca. 210 g

**Protection class** IP 67

**Mounting** Hexagon socket screw M6x45  
Contact surface on the machine: 25 mm Ø

**Temperature range** -20 bis +70 °C ambient  
-20 bis +85 °C internal

**Approvals** CE

**Communication protocols**

- OPC/UA Server
- SLMP Client
- WebServices
- MQTT for Schaeffler

## SmartCheck Data acquisition



### SmartCheck:

#### Internal Sensors

<b>Schwingung</b>	Acceleration sensor (piezo electric sensor) Frequency range 0,8 Hz - 10 kHz Measurement range $\pm 50$ g
<b>Temperature Measurement</b>	Measurement range -20 to +70 °C
<b>Measurement functions</b>	Acceleration Velocity and path by integration System temperature Process parameter (e.g. speed, load, pressure)
<b>Diagnostic methods</b>	Time signal, demodulation, spectrum and trend analysis, speed and frequency tracking
<b>Characteristic values (time range and frequency range)</b>	
<b>Predefined Measurement jobs</b>	Base configuration; roller bearing; fan; belt drive; pump; gear stage, etc
<b>Defined characteristic values</b>	DIN/ISO 10816
<b>Calculated characteristic values</b>	RMS, frequency-selective RMS, offset, peak, peak-to-peak, crest factor, Wellhausen count, condition guard, Other user-defined characteristic values are possible.
<b>Signal processing</b>	
<b>Measurement resolution</b>	24 bit (A/D converter)
<b>Frequency range</b>	0,8 Hz - 10 kHz
<b>Frequency resolution</b>	1600, 3200, 6400 or 12800 lines Min. line width 0.0039 Hz at 50 Hz (depending on low-pass)
<b>Memory</b>	64 MB RAM

# Pin assignment



Pin assignment	No.	Signal	Colour*
<p>Front view of the device</p>	1.1	GND inputs	White
	1.2	Digital input	Brown
	1.3	Analogue input 1	Green
	1.4	Analogue input 2	Yellow
	1.5	GND outputs	Grey
	1.6	Analogue output	Pink
	1.7	Digital output	Blue
	1.8	Not connected	Red

Pin assignment	No.	Signal	Colour*
<p>Front view of the device</p>	2.1	TD+ transmission data	White/orange
	2.2	RD+ received data	White/green
	2.3	TD- transmission data	Orange
	2.4	RD- received data	Green

Pin assignment	No.	Signal	Colour*
<p>Front view of the device</p>	3.1	Power supply, earth	White
	3.2	Power supply, positive	Brown
	3.3	RS 485+	Green
	3.4	RS 485-	Yellow
	3.5	Power supply, RTC, positive	Grey
	3.6	Power supply, RTC, earth	Pink
	3.7	Not connected	Blue
	3.8	Not connected	Red

Pin-assignment frontal view SmartCheck

1: Inputs / Outputs

2: Ethernet

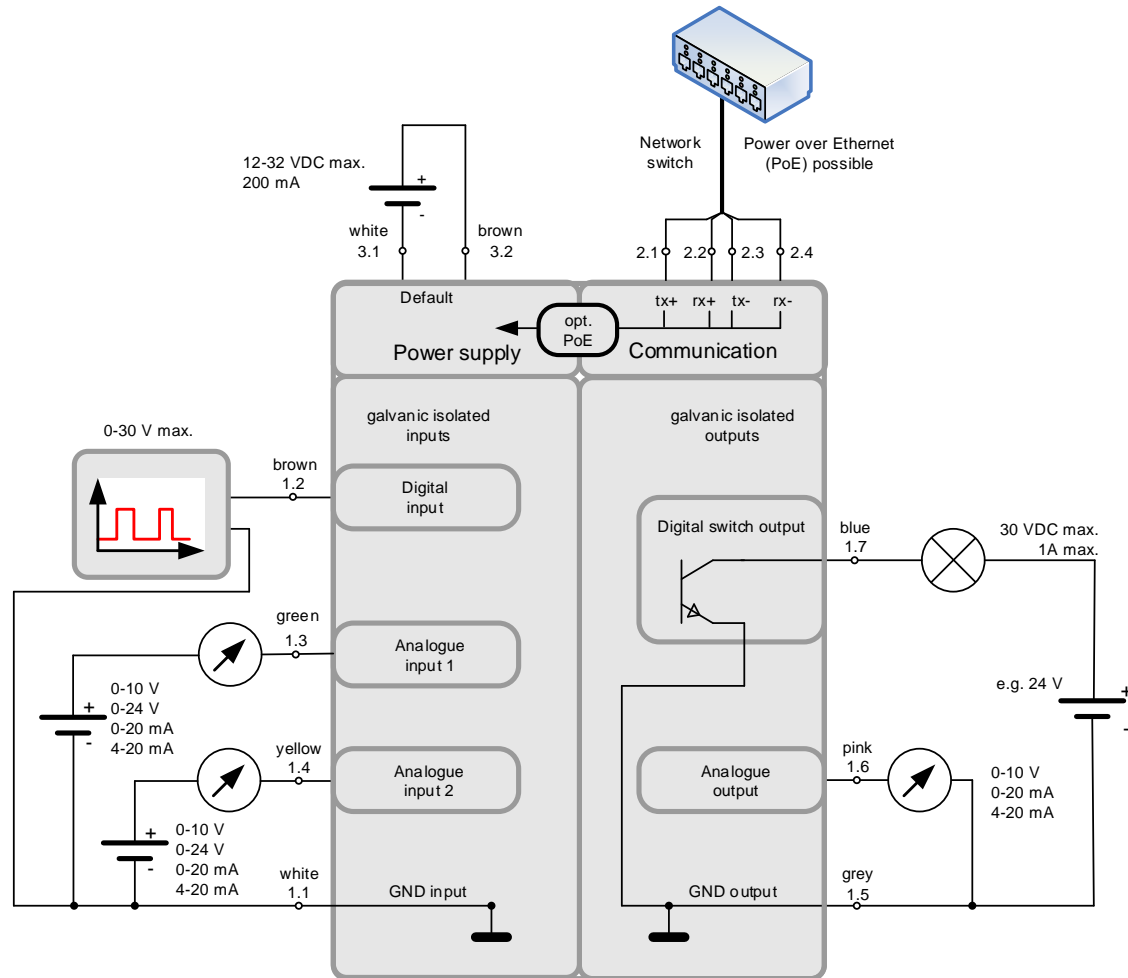
3: Power / RS485

- Standard M12 connectors
- Power over Ethernet (PoE)  
Power supply over Ethernet Port possible.

Important:

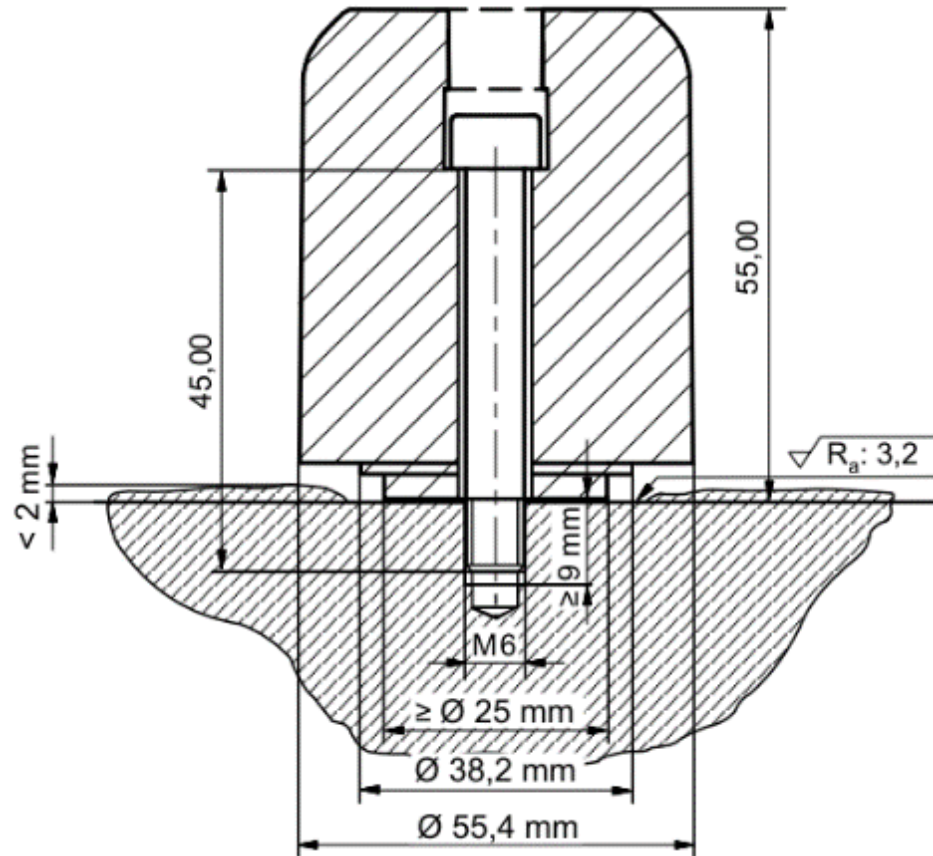
Router has to support 802.3af Modus A.

**Connection diagram / Galvanic insulation**



- Power supply 24VDC galvanic insulated
- Communication (Ethernet) galvanic insulated
- Input and output signals are galvanic insulated to power supply and communication

## Dimensions and mounting



Mounting via a M6 inner thread or via a mounting plate made of stainless steel which can be glued direct on the machine

See accessories: [link](#)

## Agenda

**1** Technical Details

**2** **Accessories & Material Numbers**

2.1 Cables

2.2 SmartLamp

2.3 SmartConnect Box

2.4 Software

**3** Trainings



## Input / Output Cable

EP1 Number	EP1 Designation	Designation
075223295-0000-10	SMART-CHECK.CABLE-IO-P-M12-OE-5M	I/O cable 8-pin for SmartCheck, 5m, M12(m) <-> open ended
075223716-0000-10	SMART-CHECK.CABLE-IO-P-M12-OE-10M	I/O cable 8-pin for SmartCheck, 10m, M12(m) <-> open ended
075223821-0000-10	SMART-CHECK.CABLE-IO-P-M12-OE-20M	I/O cable 8-pin for SmartCheck, 20m, M12(m) <-> open ended
085792748-0000-10	SMART-CHECK.CABLE-IO-P-M12-OE-30M	I/O cable 8-pin for SmartCheck, 30m, M12(m) <-> open ended



Cable start: 8-Pin M12 connector (male)  
 Cable end: open  
 Material: Polyurethane



## Ethernet Cable

EP1 Number	EP1 Designation	Designation
087761106-0000-10	SMART-CHECK.CABLE-ETH-P-M12-RJ45-0,5M	Ethernet cable for SmartCheck, 0,5m, M12(m) <-> RJ45(m)
088124819-0000-10	SMART-CHECK.CABLE-ETH-P-M12-RJ45-2M	Ethernet cable for SmartCheck, 2m, M12(m) <-> RJ45(m)
075218836-0000-10	SMART-CHECK.CABLE-ETH-P-M12-RJ45-5M	Ethernet cable for SmartCheck, 5m, M12(m) <-> RJ45(m)
075222922-0000-10	SMART-CHECK.CABLE-ETH-P-M12-RJ45-10M	Ethernet cable for SmartCheck, 10m, M12(m) <-> RJ45(m)
075223252-0000-10	SMART-CHECK.CABLE-ETH-P-M12-RJ45-20M	Ethernet cable for SmartCheck, 20m, M12(m) <-> RJ45(m)
085792446-0000-10	SMART-CHECK.CABLE-ETH-P-M12-RJ45-30M	Ethernet cable for SmartCheck, 30m, M12(m) <-> RJ45(m)
082822522-0000-10	SMART-CHECK.CABLE-ETH-P-M12-RJ45-40M	Ethernet cable for SmartCheck, 40m, M12(m) <-> RJ45(m)
085875481-0000-10	SMART-CHECK.CABLE-ETH-P-M12-RJ45-50M	Ethernet cable for SmartCheck, 50m, M12(m) <-> RJ45(m)
092669484-0000-10	SMART-CHECK.CABLE-ETH-P-M12-RJ45-60M	Ethernet cable for SmartCheck, 60m, M12(m) <-> RJ45(m)
092669514-0000-10	SMART-CHECK.CABLE-ETH-P-M12-RJ45-70M	Ethernet cable for SmartCheck, 70m, M12(m) <-> RJ45(m)
092669557-0000-10	SMART-CHECK.CABLE-ETH-P-M12-RJ45-80M	Ethernet cable for SmartCheck, 80m, M12(m) <-> RJ45(m)



Cable start: 4-Pin M12 connector D-coded (male)

Cable end: open

Material: Polyurethane

**Power supply**

EP1 Number	EP1 Designation	Designation
093143893-0000-10	SMART-CHECK.POWER-SUPPLY-24V	Wall plug power supply for Schaeffler SmartCheck. 24V/DC - 1000 mA - M12 plug - Wide Input Range AC 90 V to 264 V - Temperature: Operating: 0 °C- 40 °C
075224160-0000-10	SMART-CHECK.CABLE-POW-P-M12-OE-5M	Power cable 8-pin for SmartCheck 5m; M12(f) <-> open ended
075224194-0000-10	SMART-CHECK.CABLE-POW-P-M12-OE-10M	Power cable 8-pin for SmartCheck 10m; M12(f) <-> open ended
075224577-0000-10	SMART-CHECK.CABLE-POW-P-M12-OE-20M	Power cable 8-pin for SmartCheck 20m; M12(f) <-> open ended
085792713-0000-10	SMART-CHECK.CABLE-POW-P-M12-OE-30M	Power cable 8-pin for SmartCheck 30m; M12(f) <-> open ended



Wall plug power supply



Cable start: 8-Pin M12 plug (female)  
 Cable end: open  
 Material: Polyurethane

## Extension cable for Input / Output

EP1 Number	EP1 Designation	Designation
076930866-0000-10	SMART-CHECK.CABLE-80C-P-M12-M12-0,5M	Extension cable 8-pin for SmartCheck, 0,5m, M12(m) <-> M12(f)
081483961-0000-10	SMART-CHECK.CABLE-80C-P-M12-M12-1M	Extension cable 8-pin for SmartCheck, 1m, M12(m) <-> M12(f)
081484259-0000-10	SMART-CHECK.CABLE-80C-P-M12-M12-3M	Extension cable 8-pin for SmartCheck, 3m, M12(m) <-> M12(f)
076932613-0000-10	SMART-CHECK.CABLE-80C-P-M12-M12-5M	Extension cable 8-pin for SmartCheck, 5m, M12(m) <-> M12(f)
076934020-0000-10	SMART-CHECK.CABLE-80C-P-M12-M12-10M	Extension cable 8-pin for SmartCheck, 10m, M12(m) <-> M12(f)
076934322-0000-10	SMART-CHECK.CABLE-80C-P-M12-M12-15M	Extension cable 8-pin for SmartCheck, 15m, M12(m) <-> M12(f)
076934667-0000-10	SMART-CHECK.CABLE-80C-P-M12-M12-20M	Extension cable 8-pin for SmartCheck, 20m, M12(m) <-> M12(f)
076935019-0000-10	SMART-CHECK.CABLE-80C-P-M12-M12-30M	Extension cable 8-pin for SmartCheck, 30m, M12(m) <-> M12(f)
087121824-0000-10	SMART-CHECK.CABLE-80C-P-M12-M12-40M	Extension cable 8-pin for SmartCheck, 40m, M12(m) <-> M12(f)



Cable start: 8-Pin M12 plug (male)  
 Cable end: 8-Pin M12 plug (female)  
 Material: Polyurethane

## Extension cable for power supply

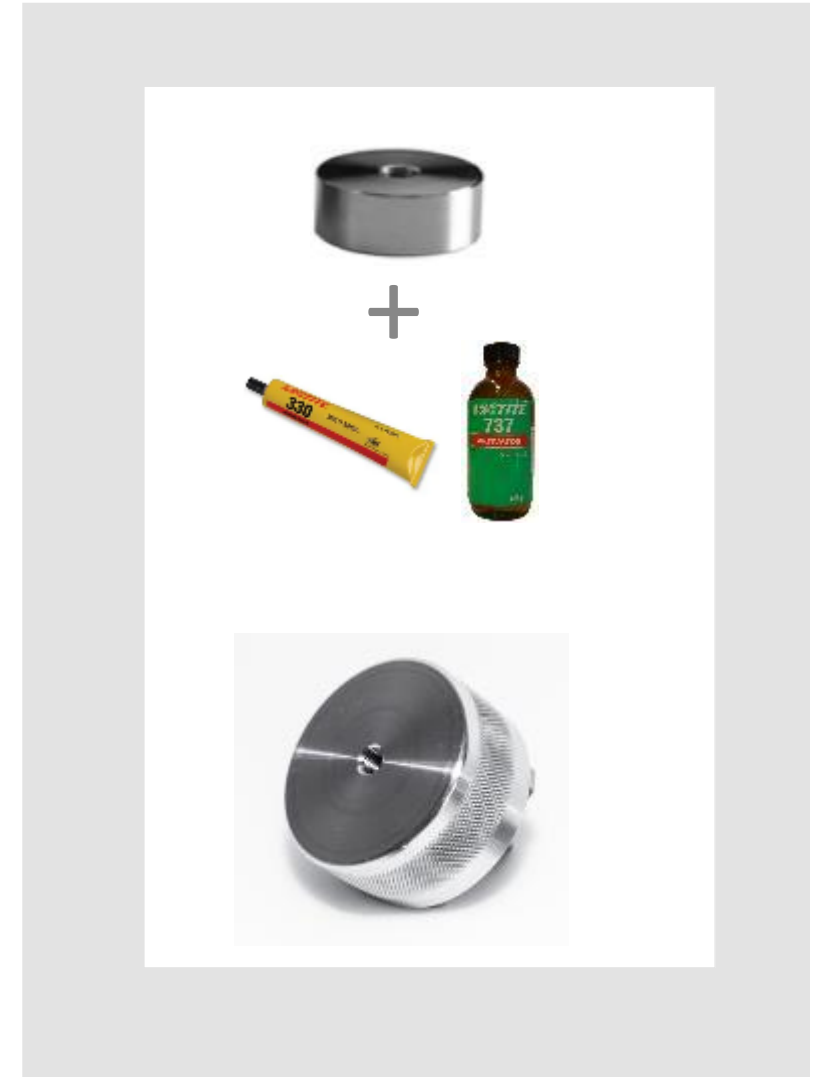
EP1 Number	EP1 Designation	Designation
087187728-0000-10	SMART-CHECK.CABLE-80C-P-M12-M12-4P-Extension cable 4-pin for speed sensor, 5m, 5M	M12(m) <-> M12(f)
084745762-0000-10	SMART-CHECK.CABLE-80C-P-M12-M12-4P-Extension cable 4-pin for speed sensor, 10m, 10M	M12(m) <-> M12(f)
087187876-0000-10	SMART-CHECK.CABLE-80C-P-M12-M12-4P-Extension cable 4-pin for speed sensor, 15m, 15M	M12(m) <-> M12(f)
087187922-0000-10	SMART-CHECK.CABLE-80C-P-M12-M12-4P-Extension cable 4-pin for speed sensor, 20m, 20M	M12(m) <-> M12(f)
087187957-0000-10	SMART-CHECK.CABLE-80C-P-M12-M12-4P-Extension cable 4-pin for speed sensor, 30m, 30M	M12(m) <-> M12(f)
087119714-0000-10	SMART-CHECK.CABLE-80C-P-M12-M12-4P-Extension cable 4-pin for speed sensor, 40m, 40M	M12(m) <-> M12(f)



Cable start: 4-Pin M12 plug (male)  
 Cable end: 4-Pin M12 plug (female)  
 Material: Polyurethane

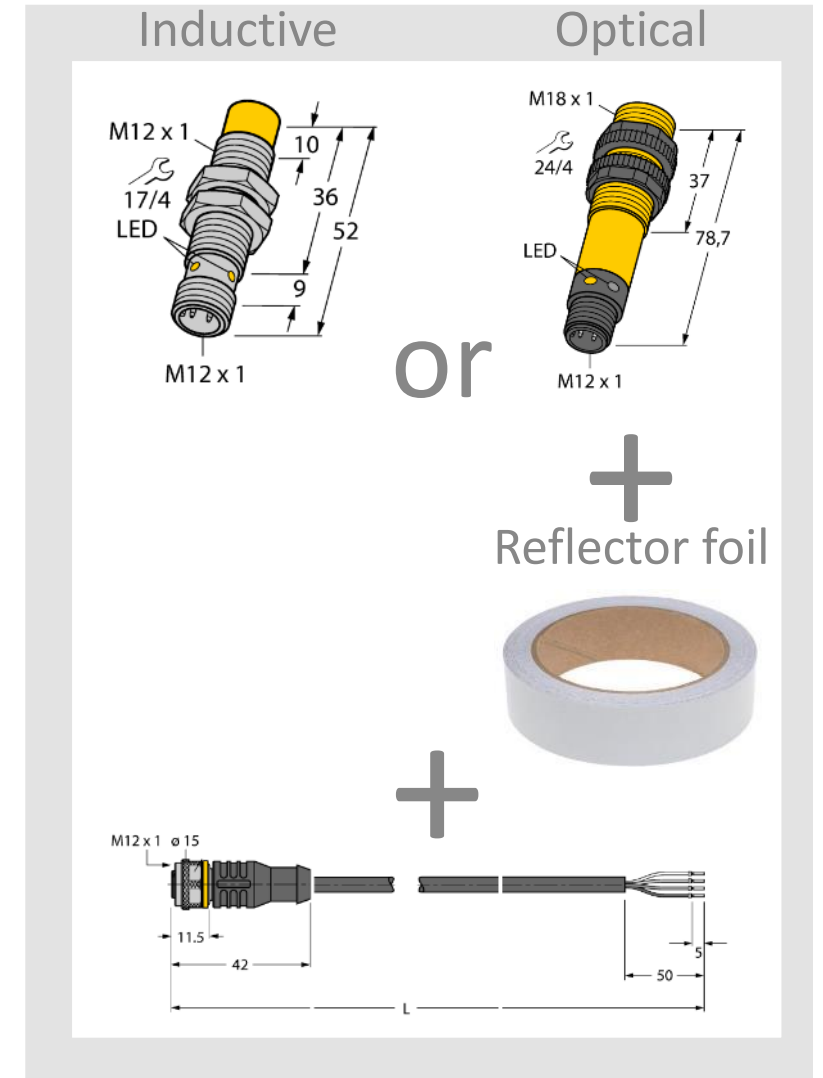
## Montage Adapter für SmartCheck

EP1 Number	EP1 Designation	Designation
021942781-0000-10	SENSOR.FIX-PLATE-M6	Mounting shims for glueing, diameter: 25mm, height: 13mm, M6- inner thread
020961278-0000-10	SENSOR.PLATE-GLUE	Adhesive to glue mounting shims
021940274-0000-10	SENSOR.MAGNET-CURVED-M6	Standard magnet for curved surfaces 1/4-28, 47mm - suitable for Schaeffler SmartCheck - temperature range +204 °C - 51 lbs. (23 kg) adherence strength, 19,1mm high, diameter: 35,5mm - M6 inner thread



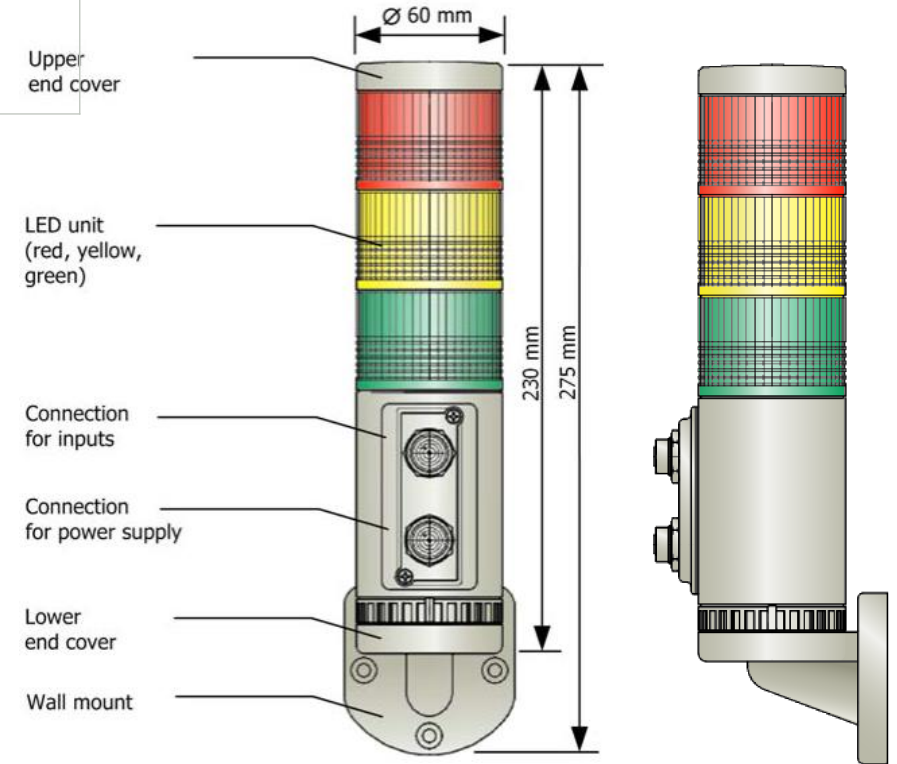
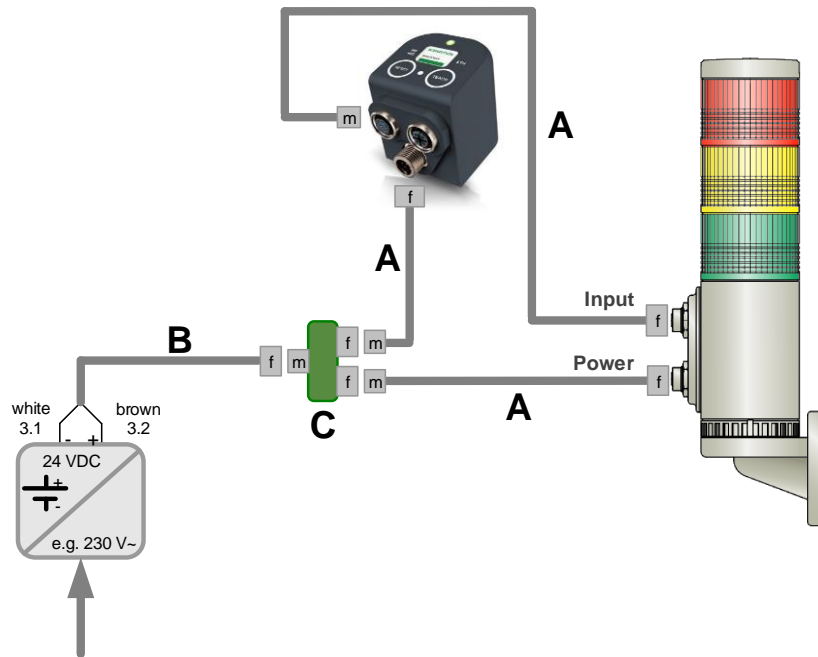
## Speed Measurement

EP1 Number	EP1 Designation	Designation
056784953-0000-10	DTECTX1.SENSOR-SPEED-INDU	Inductive speed sensor
056790082-0000-10	DTECTX1.SENSOR-SPEED-OPT	Optical speed sensor
056790139-0000-10	DTECTX1.SENSOR-SPEED-REFL	Reflector foil for optical speed sensor; 9 Meter
058299009-0000-10	DTECTX1.SENSOR-SPEED-CABLE-10M	Cable for speed sensor; 10m; open ended



# SmartLamp

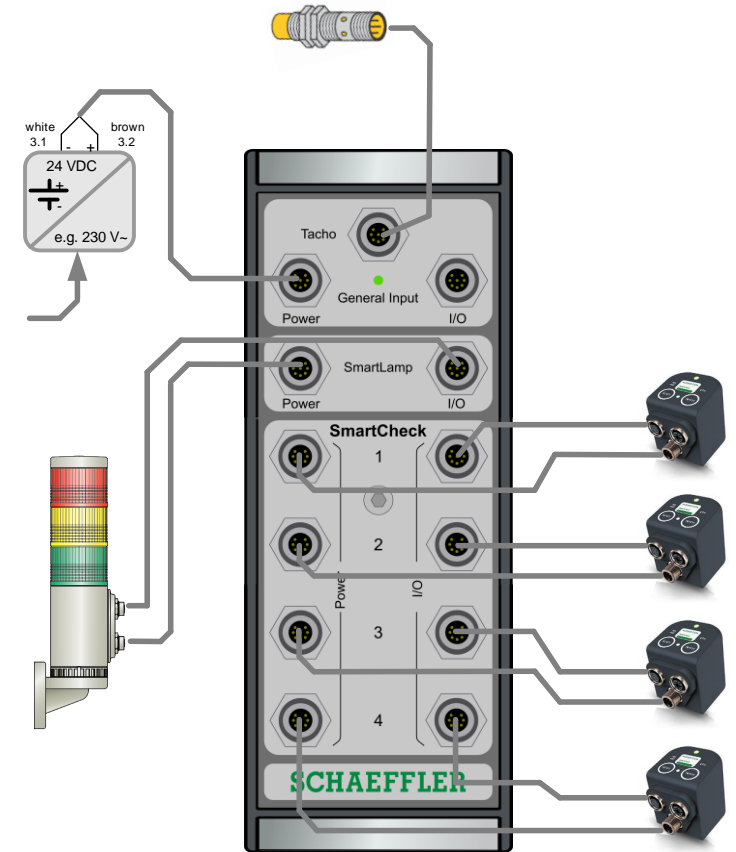
EP1 Number	EP1 Designation	Designation
083722238-0000-10	SMART-CHECK.LAMP	<p>Lamp for external visualization of the state of alarm of a Schaeffler SmartCheck.</p> <p>Easy connection via Plug &amp; Play without any additional clamps or configuration.</p> <ul style="list-style-type: none"> <li>- for 24V power supply</li> <li>- colours: green; yellow; red</li> <li>- wall mounting bracket</li> <li>- LED low power technique</li> <li>- IP65</li> </ul>





## SmartConnectBox

EP1 Number	EP1 Designation	Designation
084571195-0000-10	SMART-CHECK.CONNECT-BOX	<p>SmartConnectBox for easy distribution of I/O signals and power supply to max. 4 FAG SmartCheck, 1 FAG SmartLamp and 1 tacho probe</p> <ul style="list-style-type: none"> <li>- 4 Schaeffler SmartCheck suitable for connection</li> <li>- 1 FAG SmartLamp suitable for connection</li> <li>- 1 tacho probe suitable for connection</li> <li>- 2 analog Input</li> <li>- 4 analog output</li> <li>- 1 switching output</li> <li>- suitable for 24 V power supply</li> <li>- dimensions: 250mm * 90mm * 80mm</li> <li>- IP65</li> </ul>



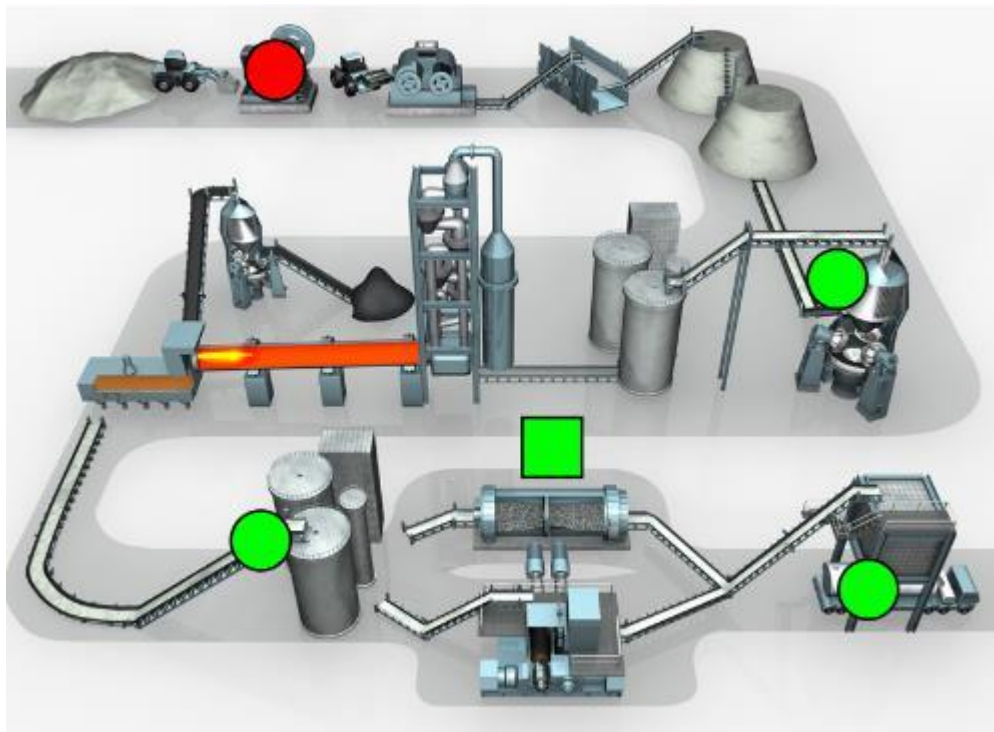
**SmartVisual Software**

EP1 Number	EP1 Designation	Designation
083120386-0000-10	SMART.VISUAL	<p>Plant Visualization for Schaeffler SmartCheck and ProLink</p> <p>The SmartVisual offers the following functionalities:</p> <ul style="list-style-type: none"> <li>- visualization of Schaeffler SmartCheck device status</li> <li>- direct hyperlink to the web server of the device</li> <li>- unlimited hierarchical levels possible</li> <li>- unlimited amount of Schaeffler SmartCheck devices possible</li> </ul>

Simple plant visualization for SmartCheck and ProLink CMS

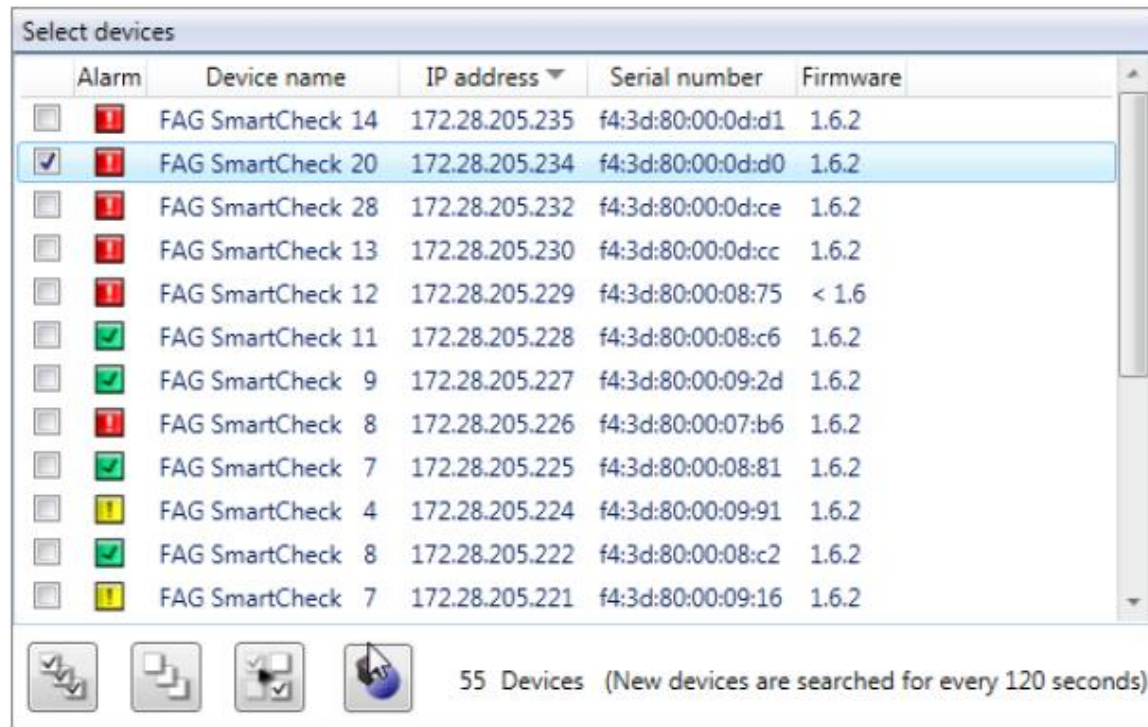
60 days trial test for free

Single-user licence



## SmartUtility light Software

SmartUtility light can be downloaded from Schaeffler Homepage for free



The screenshot shows a software window titled "Select devices" with a table of device information. The table has columns for Alarm status, Device name, IP address, Serial number, and Firmware. The second row is selected, showing a red alarm icon, "FAG SmartCheck 20", IP "172.28.205.234", serial "f4:3d:80:00:0d:d0", and firmware "1.6.2". At the bottom, it indicates "55 Devices (New devices are searched for every 120 seconds)".

Alarm	Device name	IP address	Serial number	Firmware
<input type="checkbox"/>	FAG SmartCheck 14	172.28.205.235	f4:3d:80:00:0d:d1	1.6.2
<input checked="" type="checkbox"/>	FAG SmartCheck 20	172.28.205.234	f4:3d:80:00:0d:d0	1.6.2
<input type="checkbox"/>	FAG SmartCheck 28	172.28.205.232	f4:3d:80:00:0d:ce	1.6.2
<input type="checkbox"/>	FAG SmartCheck 13	172.28.205.230	f4:3d:80:00:0d:cc	1.6.2
<input type="checkbox"/>	FAG SmartCheck 12	172.28.205.229	f4:3d:80:00:08:75	< 1.6
<input type="checkbox"/>	FAG SmartCheck 11	172.28.205.228	f4:3d:80:00:08:c6	1.6.2
<input type="checkbox"/>	FAG SmartCheck 9	172.28.205.227	f4:3d:80:00:09:2d	1.6.2
<input type="checkbox"/>	FAG SmartCheck 8	172.28.205.226	f4:3d:80:00:07:b6	1.6.2
<input type="checkbox"/>	FAG SmartCheck 7	172.28.205.225	f4:3d:80:00:08:81	1.6.2
<input type="checkbox"/>	FAG SmartCheck 4	172.28.205.224	f4:3d:80:00:09:91	1.6.2
<input type="checkbox"/>	FAG SmartCheck 8	172.28.205.222	f4:3d:80:00:08:c2	1.6.2
<input type="checkbox"/>	FAG SmartCheck 7	172.28.205.221	f4:3d:80:00:09:16	1.6.2



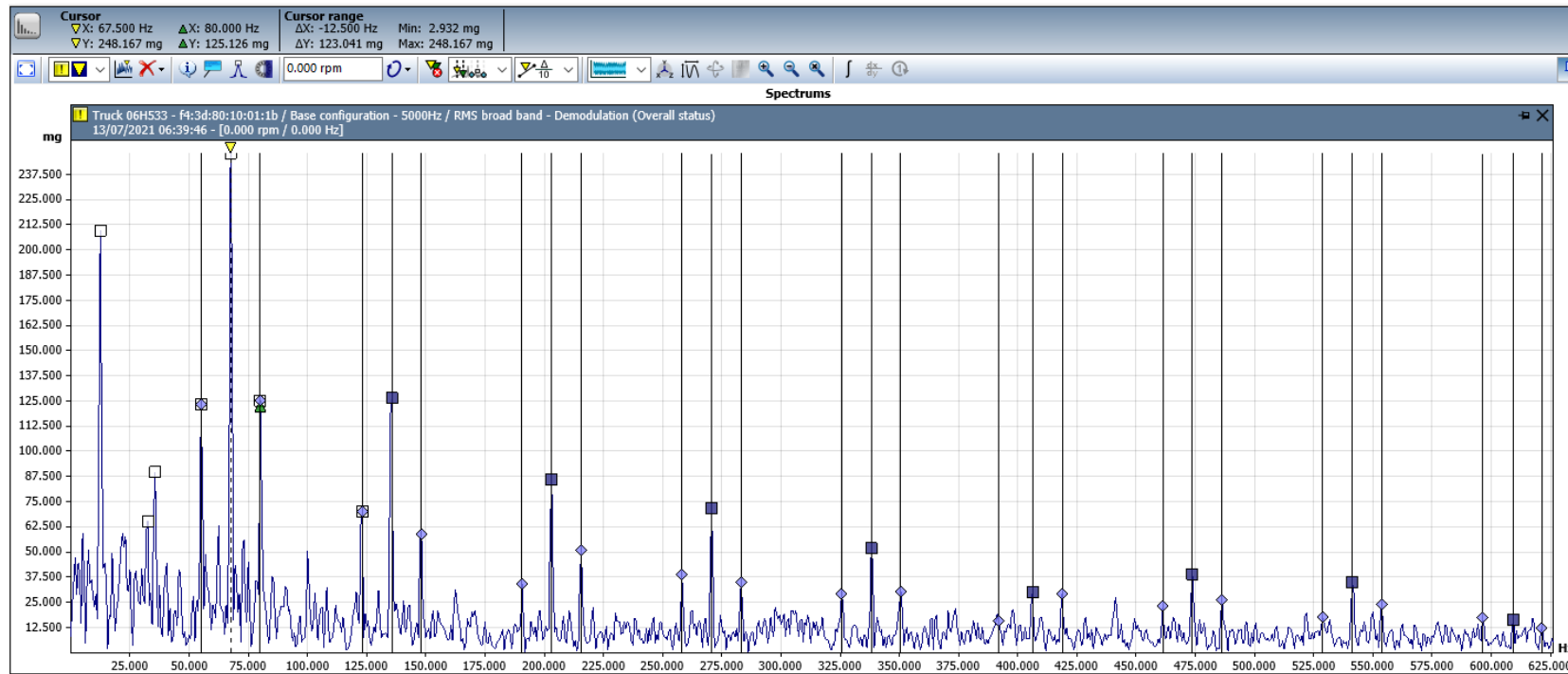
Administration of SmartCheck and ProLink devices

- Free of charge on Schaeffler Homepage
- Administration of Device settings
- Download of data from the device
- Update of device Firmware

# SmartUtility Software

EP1 Number	EP1 Designation	Designation
075514389-0000-10	SMART.UTILITY	Smart Utility Software The SmartUtility offers the following functionalities: - Search of SmartCheck/ProLink within the network - Administration of the SmartCheck/ProLink - Download of measuring data - Diagnosis and analysis of measuring data - Update of firmware - Setting of network parameters

- Tool to analyze data of SmartCheck and ProLink Daten
- Download and send of device configuration
  - Import of measured data which were send via E-Mail
  - Analysis of measured data of SmartCheck and ProLink
  - Report generator



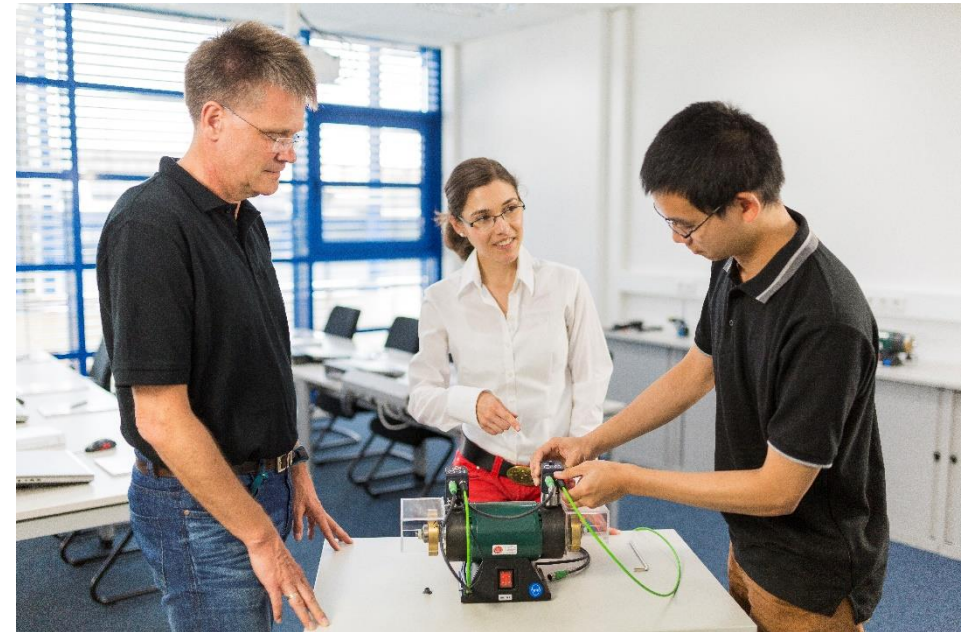
## Agenda

- 1 Technical Details
- 2 Accessories & Material Numbers
- 3 Trainings**

## Training 1: Introductory product training

- Schaeffler SmartCheck and ProLink with SmartUtility Introductory product training
  - Installation and Commissioning of the SmartCheck and ProLink CMS
  - Overview of the core functions of the SmartCheck and ProLink CMS
  - Working with the standard configuration
  - First inspection of the measured data
  - Learning phase, alarm thresholds and alarms
  - Download of measured data
  - Exercises

Duration: 1 Day



## Training 2: Advanced product Training

- Schaeffler SmartCheck and ProLink with SmartUtility  
Advanced product Training
  - Basic vibration theory
  - Basic signal processing
  - Machine vibration
  - Condition monitoring
  - Vibration measurement with SmartCheck and
    - ProLink CMS on machines with constant and variable speed
  - Analysis and assessment of vibration measurements
  - Exercises

Duration: 3 Days

